



**Model 7000**  
**Model 7200**

# PRESSURE RELIEF VALVES For Fire Sprinkler Systems



**1/2" 3/4"**



Model 7000

Model 7200

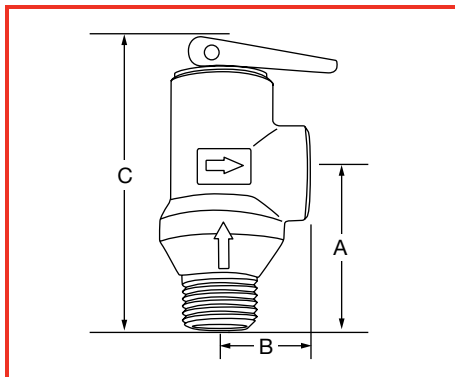
The AGF Manufacturing Inc. **Models 7000** and **7200** are UL Listed/FM Approved pressure relief valves designed specifically for fire sprinkler systems. Both models relieve excess system pressure caused by surges or temperature changes. The **Models 7000** and **7200** comply with the requirements of NFPA-13 that stipulate a pressure relief valve be installed on all gridded systems and downstream of all pressure reducing valves. The **Model 7000** has a 1/2" MIPT inlet and FIPT outlet and is included with our **Models 1011A, 1011T, 2511A, and 2511T TEST AND DRAIN®** valves, **Models 3011A and 3011ASG INSPECTOR'S TEST®** valves, and 1 1/4" – 6" **Model 8011 RISERPACK®**s. The **Model 7200** has a 3/4" MIPT inlet and FIPT outlet and is included with our 1" **Model 8011 RESIDENTIAL RISERPACK®**.

Features include:

- UL Listed and FM Approved.
- Bronze body with stainless steel spring.
- Integral flushing handle to remove debris causing leaks through valve seat and disc.
- Factory rated at 175 PSI.\*
- 165 PSI, 185 PSI, 195 PSI, 205 PSI, 225 PSI, and 250 PSI ratings are also available for the **Model 7000**.\*

\* Note: It is important to note that the pressure rating of the relief valve indicates an operating range of pressure for both opening and closing of the valve. Standard relief valves are required to OPEN in a range of pressure between 90% and 105% of their rating. The valves are required to CLOSE at a pressure above 80% of that rating.

The relief valve should be installed where it is easily accessible for maintenance. Care should be taken that the relief valve CANNOT be isolated from the system when the system is operational. A relief valve should NEVER have a shutoff valve or a plug downstream of its outlet.



## DIMENSIONS

Model	SIZE	A	B	C
7000	1/2"	1 3/4" (44 mm)	1" (25 mm)	3 5/16" (83 mm)
7200	3/4"	1 3/4" (44 mm)	1" (25 mm)	3 5/16" (83 mm)

